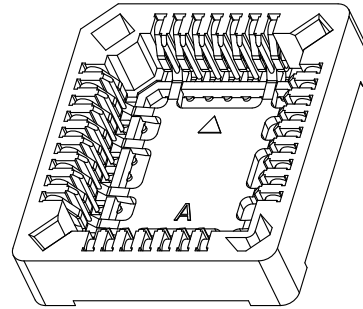
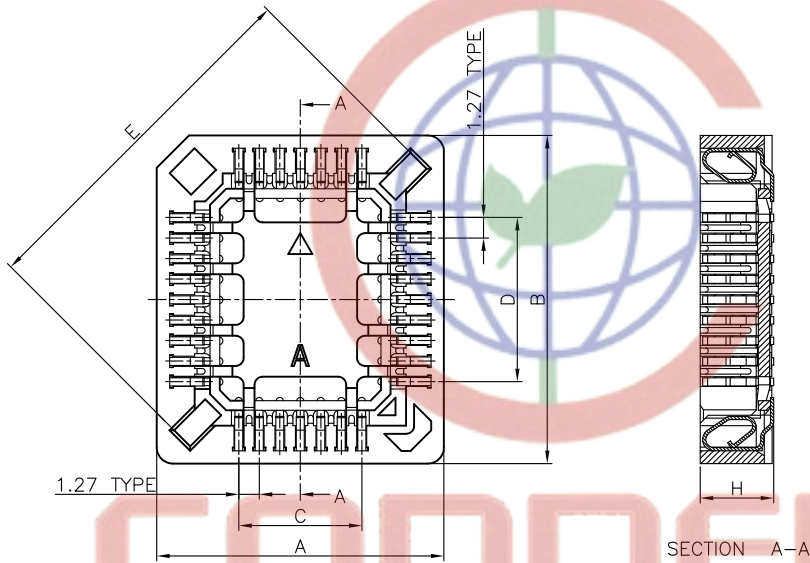


REV.	DESCRIPTION	DRAWN	CHECKED	APPROVED
A	NEW RELEASE	YCH 11/13/07'		



NOTES:

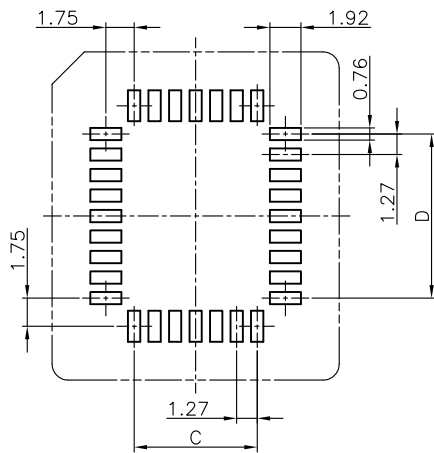
- MATERIAL
 - INSULATOR: THERMOPLASTIC, PPS CLASS FIBER FILLED (UL 94V-0).
 - CONTACT: PHOSPHOR BRONZE.
- SPECIFICATION
 - TEMPERATURE: $-40^{\circ}\text{C} \sim +105^{\circ}\text{C}$.
 - CONTACT RESISTANCE: $20\text{m}\Omega$ max.
 - INSULATION RESISTANCE: $1000\text{M}\Omega$ min.
 - DIELECTRIC WITHSTANDING VOLTAGE: AC 500V PER MINUTE.
- PART NUMBER: DS1032 SMT TYPE
- PRODUCT NUMBER CODE:

DS1032- X X X X X X X

- PACKING
- A: TUBE
- R: TAPE ON REEL
- PROFILE HEIGHT (DIM H)
- 1: 3.81mm
- S: 4.3mm
- L: 4.6mm
- CONTACT PLATING
- T1: Tin.
- HOUSING COLOR
- K: BLACK
- N: BROWN
- MOUNTING TYPE
- S: SMT
- HOUSING MATERIAL
- S: PPS
- No. OF CONTACTS
- 20 28 32 44
- 52 68 84

Dimension

Position	A ± 0.2	B ± 0.4	C ± 0.2	D ± 0.2	E ± 0.2
20	15.24	15.24	5.08	5.08	16.70
28	17.78	17.78	7.62	7.62	20.30
32	17.78	20.32	7.62	10.16	22.50
44	22.86	22.86	12.70	12.70	27.50
52	25.40	25.40	15.24	15.24	31.10
68	30.82	30.82	20.32	20.32	38.30
84	35.90	35.90	25.40	25.40	45.50



RECOMMEND PCB LAYOUT
TOLERANCE = ± 0.05

GENERAL TOLERANCE		ANGLE TOLERANCE		PROJECTION	TITLE
X.	± 0.60	X.	$\pm 5^{\circ}$		PLCC SOCKET SMT TYPE
.X	± 0.38	.X	$\pm 3^{\circ}$	mm	
.XX	± 0.25	.XX	$\pm 2^{\circ}$		
DRAWING TYPE		CUSTOMER		SHEET SIZE	SERIES
SCALE		1:1	SHEET	A4	DS1032 SERIES
DRAWING NO.		C-DS1032-XSSXXXX-A			



晨翔电子有限公司

CONNFLY CONNFLY ELECTRONIC CO. LTD